



Installation Guide

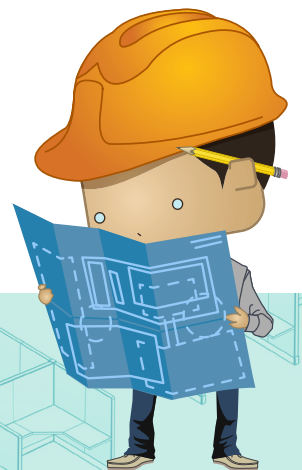


Table of Contents

Table of Contents.....	1
Introduction & Tools Required.....	2
Preparation & Installation Sequence.....	3
Starting the Install.....	4
Connecting Equal Height Panel to Connector.....	5
Connecting Panel to Panel.....	6
Panel Height Change at 2, 3, & 4 Way Connectors.....	7
Inline Panel-to-Panel Height Change.....	8
Variable Height Hi-Lo Filler Strip (Trim).....	9
Wall Track Installation	10
Electrical Power Distribution & Wire Management.....	13
Power Entry.....	15
Base & Connector Raceway Management.....	16
Wire Management End Cap Installation & Removal.....	17
Work Surface Installation.....	18
Storage Installation.....	19
Accessory Installation.....	21
Contact Us.....	22

Introduction & Tools Required

These instructions provide the necessary information to safely install Fastcubes.

The Fastcubes cubicle is a time-tested office partition furniture system that includes a comprehensive vocabulary of panels, power and cabling management, work and storage components as well as accessories. These products also offer the distinction of a family of modular furniture designed to provide a broad range of solutions for both open plan and private office requirements.

The characteristics of the Fastcubes system require panel arrangements and panel supports as outlined in this manual for a safe and secure installation. Rearrangements and additions to an existing installation must follow the installation guidelines to ensure continued safe use. Fastcubes shall not be liable for a product that is used or altered in any other way.

WARNING: Failure to follow these instructions can result in personal injury or product damage or both.

Many products are fully assembled at the factory, then shipped, and need only to be installed. Some products are shipped in sub-assemblies requiring field assembly during installation. The following are tools necessary to properly install Fastcubes:

- ¼ " Allen Wrench
- #2 and #3 Phillips Screwdriver/bits
- 25' – 30' Tape Measure
- Plastic/Rubber Mallet/Hammer
- Slotted Screwdriver
- 6" long Phillips Extension Bit (for pencil drawer bearers)
- 9"-long or longer Magnetic 'Torpedo' Level

The following tools will speed-up larger installations or be handy in special circumstances:

- 12v – 18v Drill/Driver (with spare batteries and charger)
- Set of Drill Bits & Screw Bits
- Chalk Line and/or 2" Masking Tape (to locate/mark panel run starts)
- 4' Carpenter's Bubble Level
- Hack Saw or Power Reciprocating Saw with Metal Blades
- Pliers
- 250-lb capacity Wonder™ Bar (pry bar)
- Electrical Tester
- Panel Skates (for 10 work stations or more)
- Dollies & Panel Carts (for 10 work stations or more)
- Laser Leveler Device (for 10 work stations or more)
- Utility Razor Knife

Preparation & Installation Sequence

Installation Preparation

Take care examining contents of each box making sure small packages within boxes are not overlooked.

1. Sort and stage all items:
 - ◆ Panels
 - ◆ Connectors and End Trim
 - ◆ Power Components
 - ◆ Wall Tracks
 - ◆ Cable Poles
 - ◆ Work Surfaces and Support Components
 - ◆ Overhead and File Pedestal Storage Components
 - ◆ Pencil Drawers and Accessories
2. Review building drawings closely to determine exact location of panel runs.
3. Mark floors with chalk lines and/or tape to mark starting points and openings.
4. Start at high point of the floor, if possible.

Installation Sequence

Fastcubes recommends the following sequence to assemble cubicle product:

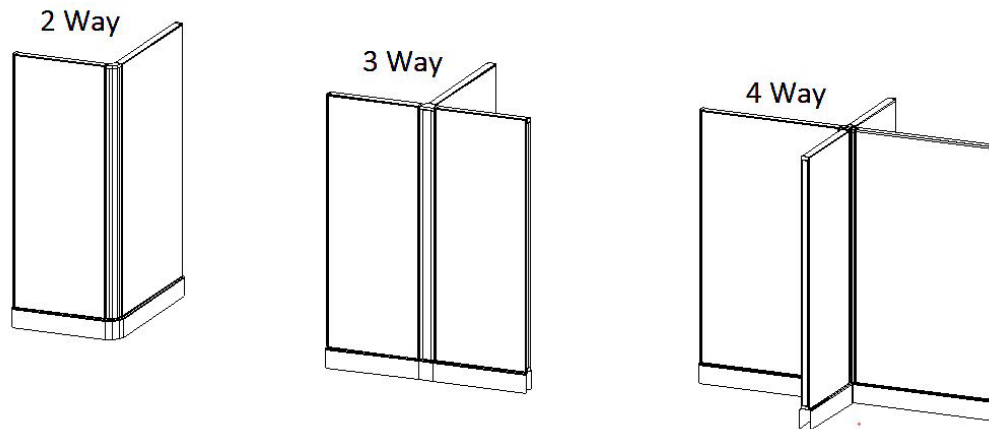
1. Install Panels and Connectors.
2. Install Panel End Trim at ends of panel runs.
3. Install Power Distribution and End Feeds (not wired to power supply).
4. Install Overhead Storage and Task Lights.
5. Install Work Surfaces and Floor-supported/hanging Pedestals and/or File Centers.
6. Install Tack Boards & Marker Boards.
7. Install Accessories.
8. Wipe down furniture.

Starting the Install

Panel Installation: How to Start

Important:

- Start at a 2-way, 3-way or 4-way connector junction so that the initial panels, once connected, will remain free-standing; then build from there according to your layout print. Construct this connector junction at a locatable point from the layout print on the installation floor. Use chalk line or masking tape to mark the starting location.

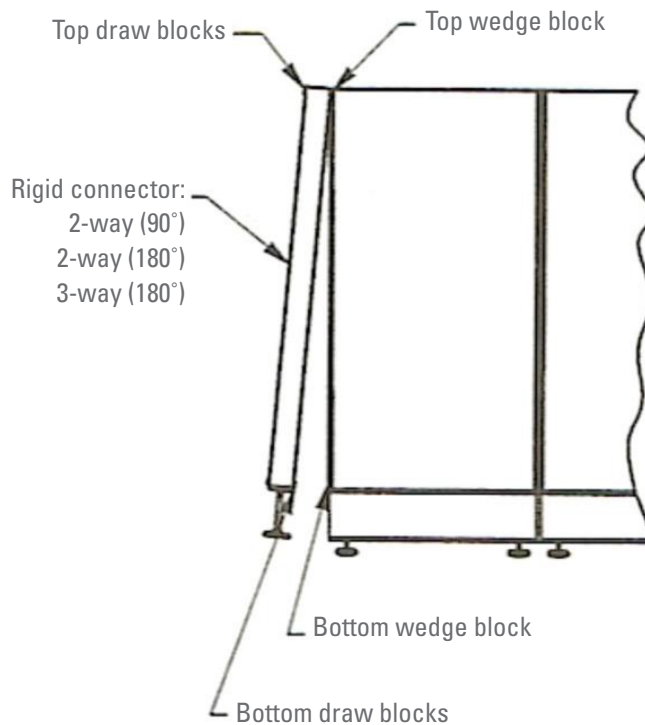


- To connect adjacent panels of equal height, use a rod & block connector.
- Use a two-way 180° connector for equal or unequal height panels.
- Two-way 90°, three-way and four-way corner connectors provide the panel-to-panel connection necessary in either of the following situations:
 - ◆ Adjacent panels are unequal in height
 - ◆ Adjacent panels are at a 90° angle to each other and of either equal or unequal height.
 - ◆ A group of three or four equal- or unequal-height panels at 90° from a common point.
- At each connector junction where there will be a panel height change, refer to Connector Change-of-Height procedure.
- Be sure to level panels before installing components.

Connecting Equal Height Panel to Connector

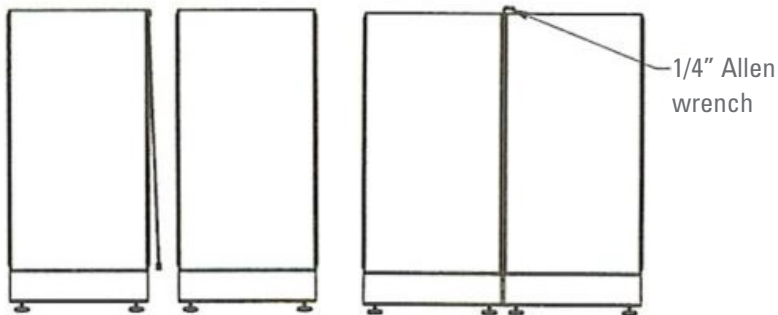
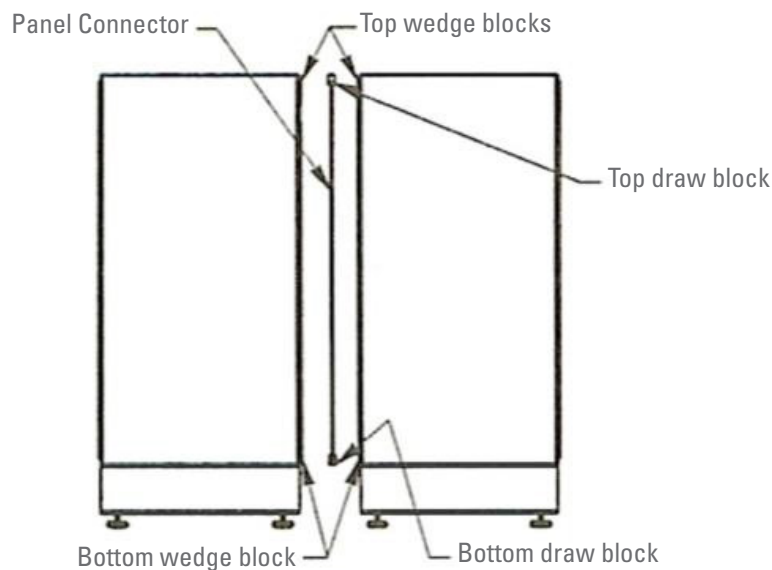
NOTE: Wherever your furniture plan calls for transaction counters mounted to panels, please review the section "Transaction Counter Installation" before connecting the panels beneath.

1. Place top draw block of connector on the top wedge block of the first panel.
2. Loosen screw in top draw block of connector with $\frac{1}{4}$ " Allen wrench or hex bit, until the bottom draw block of the connector clears the panel's bottom wedge.
3. Tighten the same connector draw block screw until panel and connector are securely attached.
4. Loosen an/the adjacent top connector draw block screw
5. Move the adjacent panel to locate the bottom wedge block over the bottom draw block on the connector
6. Lift up the loosened top draw block on the connector and position the panels top wedge block adjacent to the connectors top wedge block, drop connector draw block over the two adjacent wedge blocks.
7. Tighten connector draw block screw until panel and connector are securely attached.
8. Repeat steps 2 through 7 for any additional connector draw blocks (3-way and 4-way connectors).



Connecting Panel to Panel

A Rod and Block Panel Connector is required to connect two panels in a straight line.



Note: Wherever your furniture plan calls for transaction counters mounted to panels, please review the section “Transaction Counter Installation” before connecting the panels beneath.

1. Place top draw block of connector on top of wedge block of first panel.
2. Loosen the Allen screw in the top draw block of the connector rod until the bottom draw block of connector rod clears bottom wedge block of first panel.
3. Move and position adjoining panel’s bottom wedge adjacent to first panel’s bottom wedge block within open half of connector rods bottom draw block. Then raise the connector rods draw block and position the adjoining panels top wedge block next to the panels top wedge block, under the open half of the connector rods top draw block.
4. Tighten connector rods Allen screw until panels are securely attached.
5. After assembly of a run of panels, adjust panel glides in bottom of all panels to level panel run and to put equal weight on all panel glides

Panel End Cap Kit

Use to trim the exposed hardware on the vertical end of a panel at the end of a panel run.

Note: Wherever your furniture plan calls for transaction counters mounted to panels, please review the section “Transaction Counter Installation” before connecting the panels beneath.

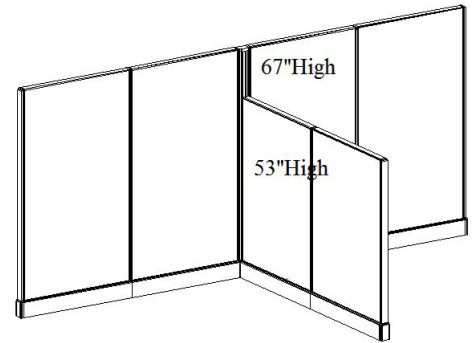
1. Place draw block of the End Cap over the top wedge block of the panel.
2. Loosen ¼” hex/Allen screw at top of End Cap until bottom draw block clears bottom wedge block of the panel.
3. Tighten hex/Allen screw until End Cap is fastened firmly to the panel.

Note: Do not over tighten top Allen screw; it may cause Panel End Cap to bow.

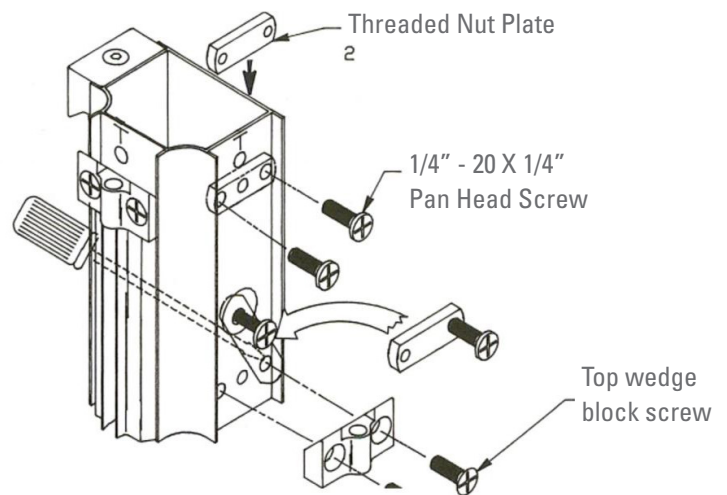
Panel Height Change at 2, 3, & 4 Way Connectors

At a Connector: Follow the instructions below for changing the connector wedge block position on any 2-way (90°), 2-way (180°), 3-way (180°) or 4-way connector to attach a panel of lower height.

1. Lay connector on a flat, protective surface.
2. Remove connector Top Draw Block(s) to reveal top cap release port.
3. With a screwdriver, press both top cap extension tabs, as shown at right, while pulling on top cap to release it.
4. Remove connector wedge block (Top Draw Block and Top Wedge Block) by removing both wedge block screws. Remove the threaded nut plate that has dropped after removing the screws by tipping the connector so that it slides out either end.
5. Remove connector filler strip from the side to be adjusted; remove from bottom end first by prying or pulling end away. Filler strip is held in place with double-faced adhesive tape.
6. Install wedge block and threaded nut plate removed from top location to new height desired.



- ◆ Begin by threading a screw into the threaded nut plate, making sure the raised ridge around threads faces screw head; this helps to properly locate the threaded plate.
- ◆ Position one end of the threaded plate, as shown, through the access hole above the wedge block screw holes, into place. While holding its position, place wedge block into place. Insert screw through wedge block and connector; do not tighten completely.
- ◆ Remove wedge block screw used to position threaded nut plate. Use inserted screw to align nut plate into position.



You may need to tighten or loosen the screw for better positioning control and/or hold connector for gravity to position nut plate. Once in place, finger-start a screw through the wedge block and connector into the nut plate.

Note: the hole in the adjacent or opposite side of the connector can be used to insert a screwdriver to hold the threaded nut plate in position for installing wedge block screws.

7. Cut filler strip at bottom end and install to fit between top and bottom wedge blocks.
8. Reattach the top draw block to the connector wedge block and replace top cap.

Inline Panel-to-Panel Height Change

Follow the instructions below for changing the wedge block position on a panel end to connect to it a panel of lower height.

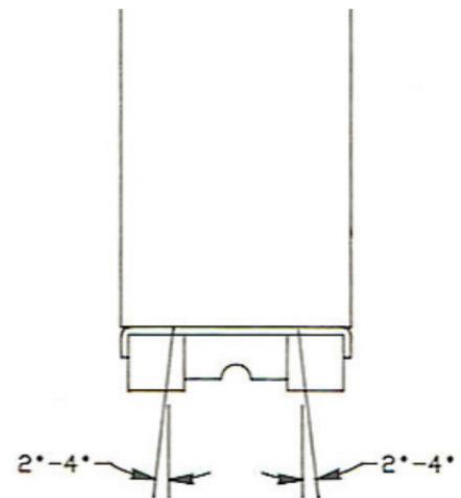
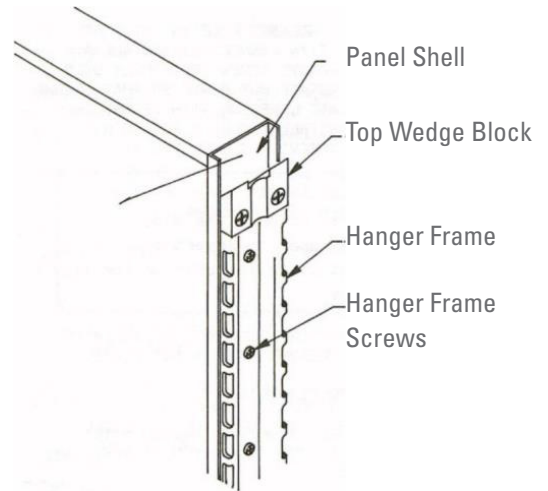
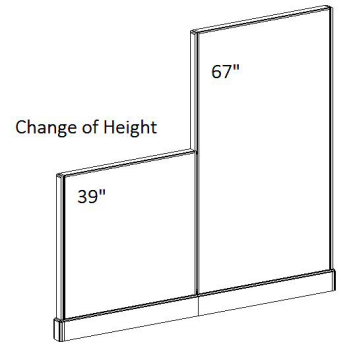
1. Remove both top wedge block screws and wedge block.
2. Remove hanger frame screws and hanger frame.
3. Determine the length to cut off from top ("CC" stamped at end) portion of the hanger frame by subtracting the nominal height of the shorter panel from the nominal height of the taller panel.

For example:
67" Taller panel nominal height
- 47" Shorter panel nominal height
<u>20" Amount to be removed from top</u>

4. Use hacksaw or power reciprocating saw to cut hanger frame; be sure to cut squarely. Discard top portion of hanger frame.
5. Reinstall hanger frame and tighten screws; be sure to evenly align panel shell side-to-side.
6. Position top wedge block in new position, lowered the same distance calculated in step 3 above. Scribe a mark at the center point of each screw hole in the wedge block.
7. Remove hanger frame, bottom wedge block, and panel shell.
8. At each scribed mark, stamp a starting dimple using a starting punch or nail. Also stamp one between the two, in line with the two. At each of the three marks, drill a 5/16" hole through the panel shell.
9. Reinstall panel shell, bottom wedge block and hanger frame; be sure to evenly align panel shell side-to-side. Tighten all screws.
10. Position top wedge block in new position, lowered the same distance calculated in step 3 above. Scribe a mark at the center point of each screw hole in the panel frame. Remove wedge block.
11. Drill a 3/16" hole, at a 2° – 4° angle, through the frame rail at the two screw locations (the centered hole is a relief for the boss on the back of the wedge block).
12. Position top wedge block in new position and attach with two wedge block screws.

Important Note: Holes must be drilled at a 2° – 4° angle from the panel face; failure to do so could allow drill or wedge block screw to damage face of panel.

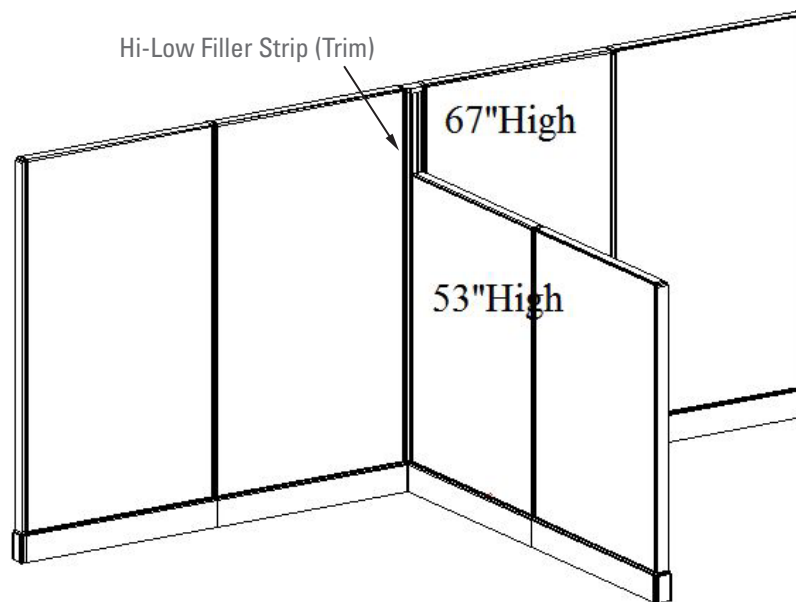
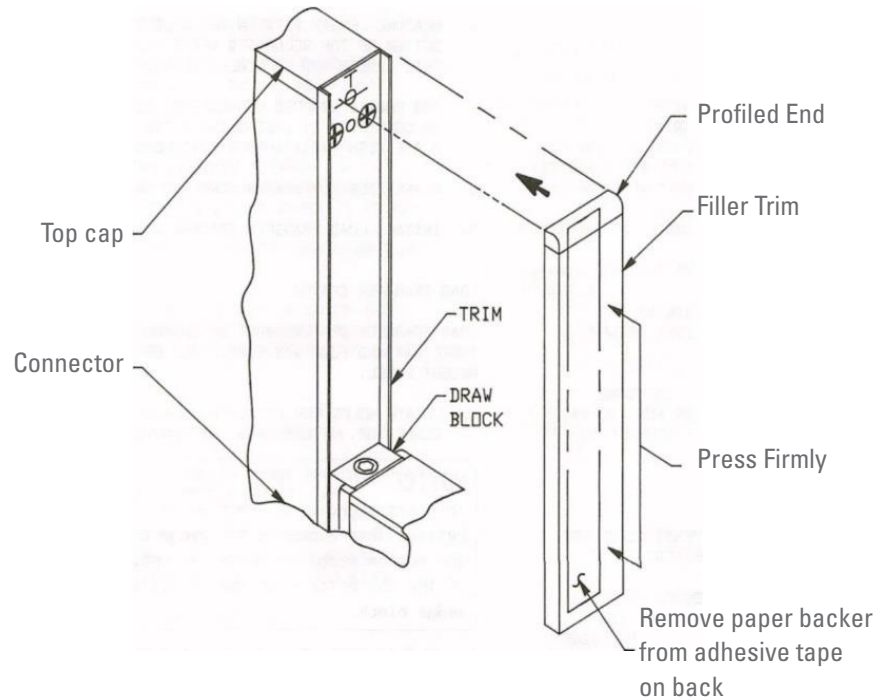
13. Attach top of panel shell to panel frame through any hanger frame screw hole near top with a flathead drywall screw. Screw head must be large enough to hold panel shell down without going through and without being raised to hamper attachment of variable height filler trim.



Variable Height Hi-Lo Filler Strip (Trim)

The 48" trim piece is designed to provide up to two pieces of trim for use on connectors with panels of unequal height or two panels in line of unequal height as described above. Each end is profiled to serve as a top, finished end.

1. Filler trim must be cut to required length
.Measure the distance between the top of the panel/connector and the top of the top draw block of the lower panel.
Then measure same distance from one end of the trim piece and scribe a line across the face at that point.
2. Use hacksaw or power miter saw; be sure to cut squarely.
Note: Do not discard other end; it may also be used as filler trim in many cases.
3. Clean the area to be trimmed; make sure it is dry before positioning the filler.
4. Remove paper backer from adhesive tape on back side of filler. Position filler trim and press firmly into position.
Make sure profiled end of filler trim is at top and positioned flush with top of connector or panel top cap.



Wall Track Installation

Note: Wall hanger track must be used only on a structural wall constructed in either of the following manner, as a minimum:

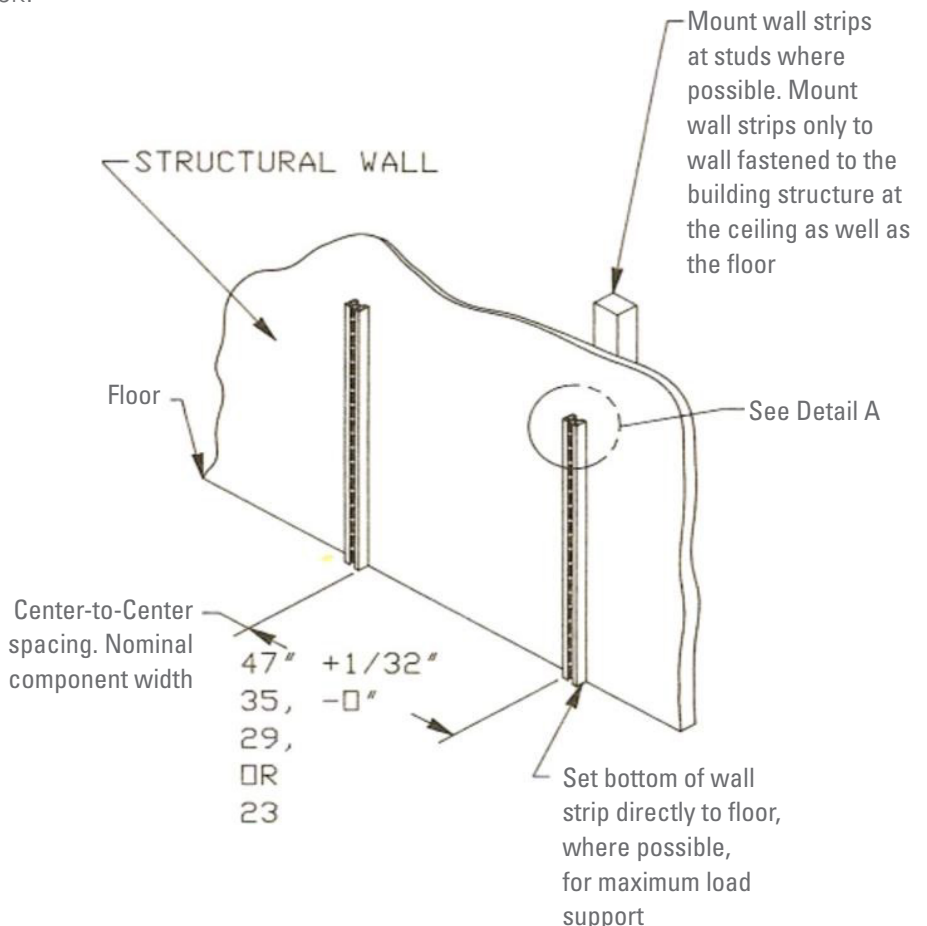
- Composite Board (drywall) over Wood or Metal Stud: Drywall must be 5/8" minimum, on 2" x 4" studs minimum, 24" on-center maximum; 14' height maximum, retained at both floor and ceiling. Metal studs must be "C"-channel, 20-ga minimum thickness. Drywall must be attached by industry standards, minimum; ideally it should include appropriate adhesive bead on each stud, the full length of the stud.
- Poured cement wall - Cement block wall

Acceptable fastener recommendations:

- Into drywall on studs:
 - ◆ 3/16" hollow wall fastener or 3/16" wall toggle & bolt with #8 flat head machine screw located 29" and 60" from floor, minimum; other screw locations can utilize 1/8" fastener/wall toggle with #8 flat head machine screw.
 - ◆ Directly into wood stud: #8 x 2 1/2" flat head drywall or sheet metal screw.
 - ◆ Directly into metal stud: #8 x 2 1/2" flat head sheet metal screw.
- Into concrete, cement block or brick:
 - ◆ #8 x 1 1/2" flat head sheet metal screw with screw anchor.
 - ◆ 3/16" x 1 3/4" Tapcon™ or other brand concrete anchor screw. Must be used with recommended (5/32") masonry drill bit for pilot hole.

Note: Refer to fastener manufacturer's specifications and recommendations for application, load rating and pilot hole size. It is the installer's responsibility to determine and select the most appropriate fastener. Fastcubes does assume any liability for their use.

WARNING! Failure to properly attach wall hanger strips to a structural wall and, where possible, to rest wall hanger strips directly on the floor may cause dislodgement of wall strip and/or attached components causing personal injury and/or property damage.

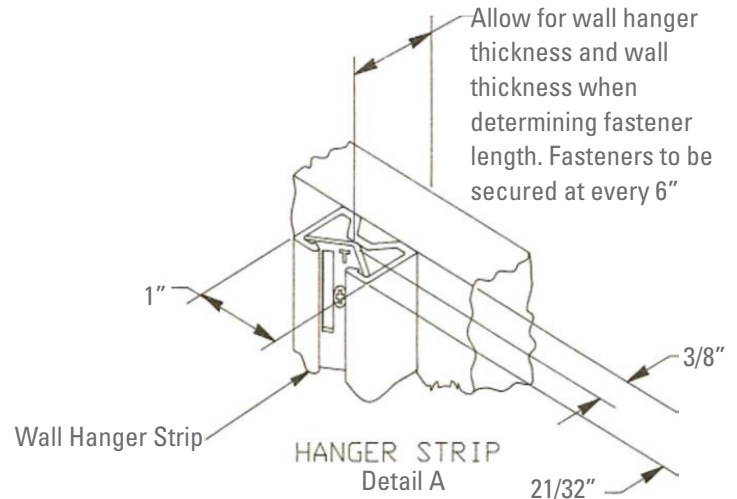


Wall Track Installation (cont'd)

Location and Installation:

Note: Wall hanger strip must be secured to wall with appropriate fastener every 6".

1. Position the first wall hanger strip at the required location, per furniture layout drawing. Note that the end with the hole located closest to the end is the top. Attach with fastener.
2. Use a level to 'plumb' wall hanger strip; mark hole locations on wall through holes in wall hanger strip.
3. Drill holes, at each marking, in wall according to fastener manufacturer's recommendation.
4. Insert fastener and complete attachment of wall hanger strip.
5. Measure or use a spacer to locate and mark the next wall hanger strip location.
6. Repeat steps 2 –5 for remainder of wall hanger strips.



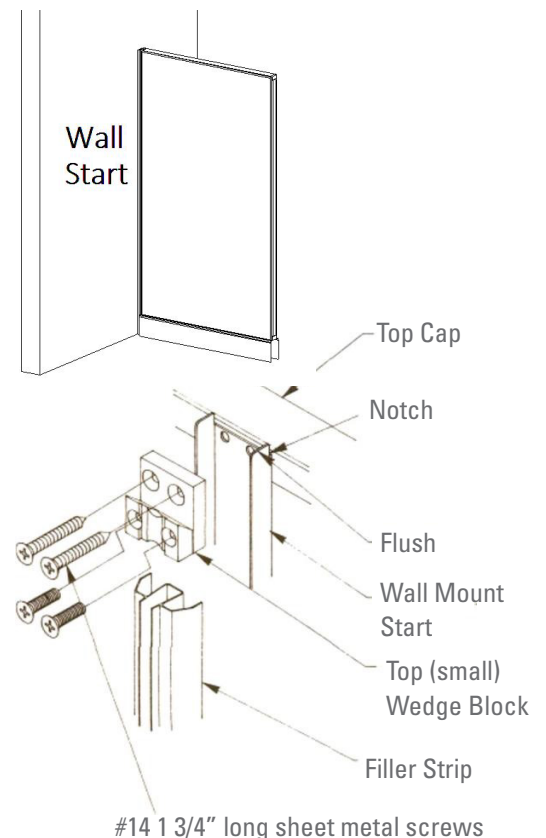
Helpful Hints:

- Spacers may be used to position subsequent, sequential wall strips. Cut spacers to 1" less than nominal component dimension $+1/32"$, e.g., 47" (48" - 1") $\pm 1/32"$. Be sure to keep ends square.
- Installers are responsible to install wall strips at a uniform height and level relative to one another. Often, if a drop ceiling is present; their perimeter track has been installed with a laser level. Because floor levels vary, especially cement floors, the ceiling tile track may be a better reference for locating wall strip's vertical position. Installer must determine best method for keeping wall strips level because their location is critical to the subsequent outcome of the furniture installation.

Wall Mounting Panel

Use to connect a panel at a right angle to a structural wall or to another, non-steel frame, panel of the same height.

Notice: It is the installer's responsibility to select and install the proper fasteners in the structural wall or panel frame. Fastcubes does not assume liability for their use.



Wall Track Installation (cont'd)

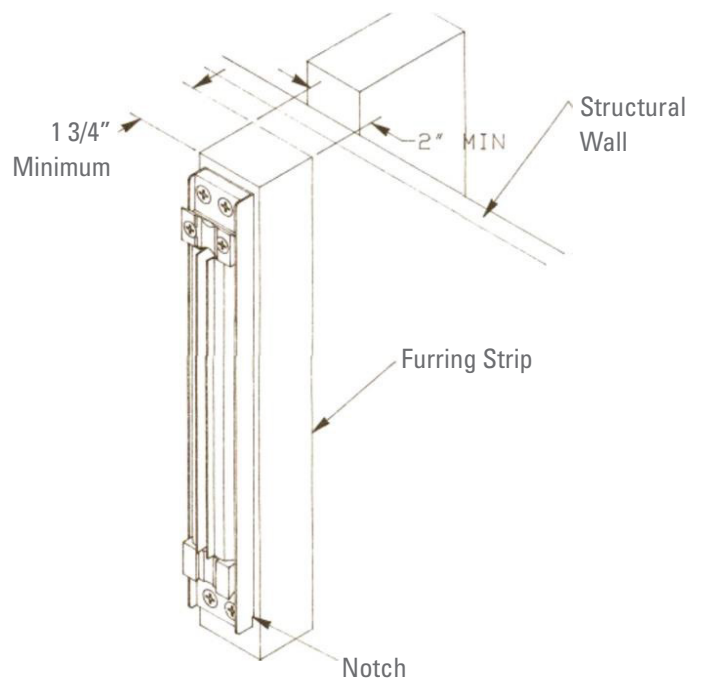
For attachment to all panels, except tubular steel frame:

1. Position the Wall Mount Start channel at the desired location, flush with top of panel and parallel to its vertical edges, with notch up for clearance of panels top cap.
2. Use holes in channel for template, bore 3/16" diameter hole 1 1/2" deep into panel frame; two at the top, two at the bottom.
3. Securely fasten wedge blocks and channel to panel surface with #14 X 1 3/4" long Sheet Metal Screws.
4. Remove paper cover from adhesive strip on back of filler strip and position filler in channel, between wedge blocks, and press firmly in place.
5. Assemble panel to Wall Mount with a standard panel connector

For attachment to structural wall:

Note: Structural wall should be constructed in either of the following manners, as a minimum:

- Composite Board (drywall) over Wood or Metal Stud: Drywall must be 5/8" minimum, on 2" x 4" studs minimum, 24" on-center maximum; 14' height maximum, retained at both floor and ceiling. Metal studs must be "C"-channel, 20-gage minimum thickness. Drywall must be attached by industry standards, minimum; ideally it should include appropriate adhesive bead on each stud, the full length of the stud.
 - Poured cement wall or Cement block wall
1. Select a wood furring strip, straight and sound, with minimum cross section dimensions of 1 3/4" X 2". The length must match the nominal height of the Wall Mount.
 2. Bevel or plane the back of the furring strip so that face of furring strip will be plumb.
 3. Select appropriate fastener for type of structural wall and mount the furring strip to the structural wall, perpendicular and resting on the floor
 4. Locate channel vertically, with notch at bottom.
 5. Follow steps 2 – 5 above to attach Wall Mount to furring strip.



Electrical Power Distribution & Wire Management

Electrical power distribution components are modular and allow complete integration with the Fastcubes furniture system products. Please read and follow this information carefully before proceeding with any furniture installation requiring electrical components.

WARNING: Disconnect power before servicing any component. Failure to do so can cause electrical shock and personal injury or property damage.

Electrical power system is:

- UL-Listed/CSA-Certified and labeled
- Constructed with shielded conduit to provide an effective built-in EMF barrier
- Eight-wire, four-circuit design
- 15-amp capacity
- Three general-purpose circuits
- One dedicated circuit with isolated ground

Electrical Pre-Installation Requirements

The electrical power distribution system is an eight-wire/four-circuit modular system that can supply up to four circuits with single-phase or three-phase power. Each circuit is rated 125v/15-amps and can supply a maximum of 13 receptacles.

1. Before starting the electrical component installation, be sure to coordinate the layout with the building power supply sources.
2. Connection of the electrical components to the building electrical supply must be performed by a qualified electrician.

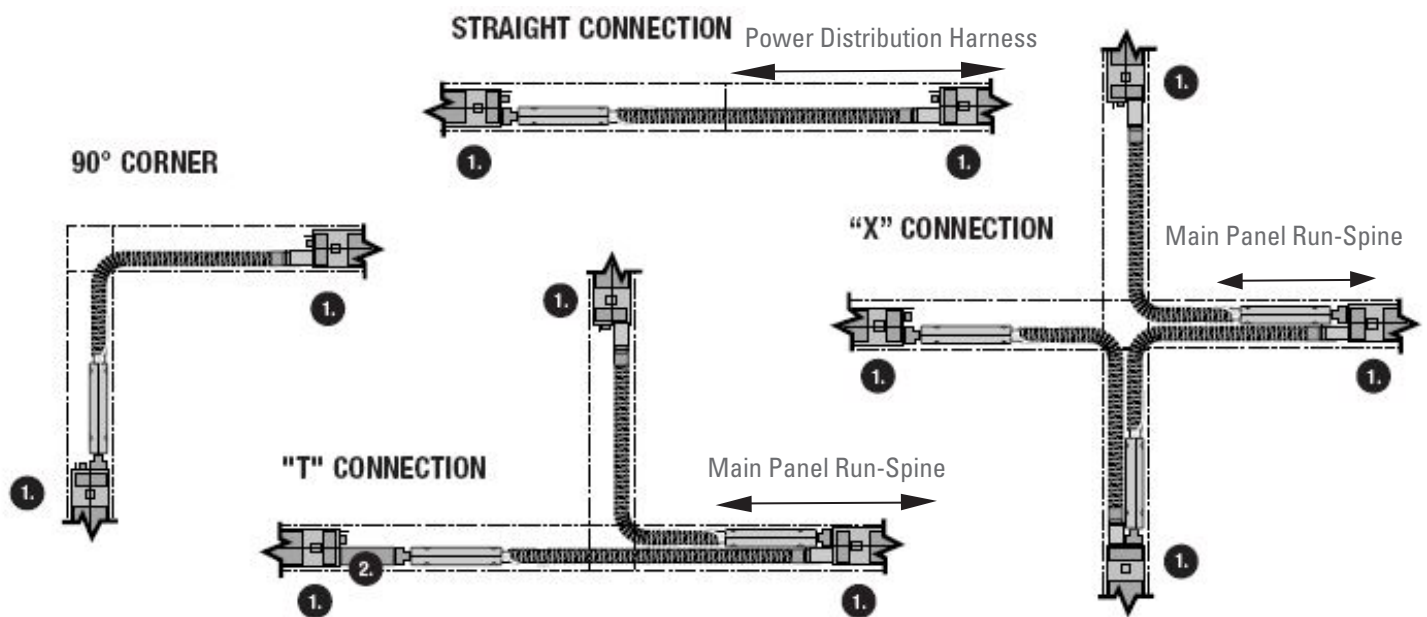
Fastcubes eight-wire/four-circuit power system specifications:

- ◆ UL-Listed/CSA-Certified and
- ◆ Eight-wire, four-circuit design
- ◆ 15-amp capacity
- ◆ Constructed with shielded conduit
- ◆ Three general-purpose circuits
- ◆ One dedicated circuit with isolated ground EMF barrier series panels specified with power come with the power distribution harness attached to the panel.

Electrical Pre-Installation Requirements (cont'd)

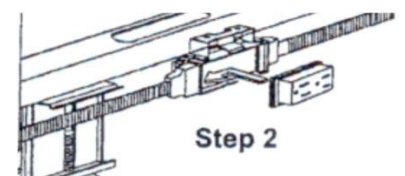
To connect power distribution harnesses and/or pass-thru cables together or between one or another:

1. The flexible conduit/connector is polarized so that it can only connect to the appropriate end of a pass-thru cable or to the male terminals on the power block of a power distribution harness (one terminal on the male end of the connector is crowned).
 - ♦ If the power distribution harness needs to be removed, remove the power block from mounting bracket, use a small pry bar or flat-blade screwdriver to press down plastic tab of power on either side of the mounting bracket center tab until you can push the power block through.
2. Simply make sure the polarized ends are appropriately matched and press together. You should hear an audible 'click' when they have made a proper connection. If not, please examine carefully to make sure the two are fully connected by firmly pulling apart.
 - ♦ The shielded cable of each Power Distribution Harness and Pass Thru cable can be stretched up to 3 ½" to round 90-degree corners; firmly grab shielded cable only at each end and pull sharply until fully stretched. You can see an example of how to stretch these here:
 - ♦ Follow the schematic below for routing power distribution harnesses and/or pass-thru cables at connector junctions.



To install Duplex Receptacles

Slide and snap duplex receptacles into each Power Distribution block where indicated according to electrical plan. Knock out appropriate duplex covers on each base cover. To remove duplex receptacle, press release tab on power block and slide duplex receptacle out.



Power Entry

WARNING

- **Risk of Fire or Electrical Shock. Each panel must be connected to only one source of electrical supply. Be sure to turn off panel board switch while installing or removing power entry.**
- **Power Entry must be installed by a licensed electrician.**

1. Insert end into power distribution harness block and slide into position until you hear an audible 'click'; thread free end through panel base side cover and install base side cover.
2. Rotate conduit to the right or left and add Power Entry cover, Secure with two screws provided. Power Entry is now ready for electrician to hardwire the connection to the building supply.

End Feed and Ceiling Feed cables connect to power distribution block male terminals on end of block.

Wiring Guide	
Gray	Neutral 2
White	Neutral 1
Green/Yellow	Isolated Ground
Green	Ground
Pink	Hot Circuit 4
Blue	Hot Circuit 3
Red	Hot Circuit 2
Black	Hot Circuit 1

Base & Connector Raceway Management

Opening Panel Base Side Covers:

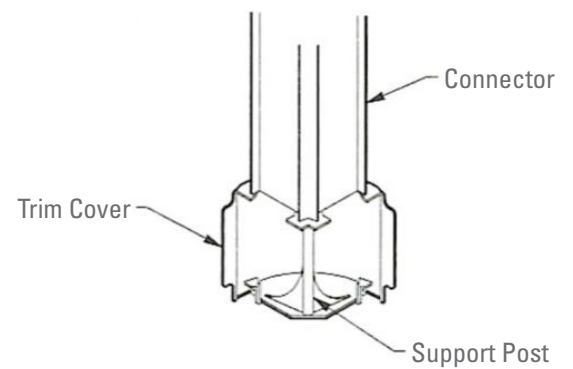
Side covers are retained by the top channel and pivot at the baseplate.

1. To remove side cover, start at one end and press down on the top edge of the side cover to clear the lip from the top channel; pull toward you as your finger continues pressing down on the top edge as it slides along toward the other end.
2. Rotate side cover down toward you to allow access to the cable management channel.
3. Start at one end of the side cover and press down on the top edge until the lip is under the top channel.
4. While holding that end in position, press and run finger along the top edge seating the rest of the lip under the top channel.

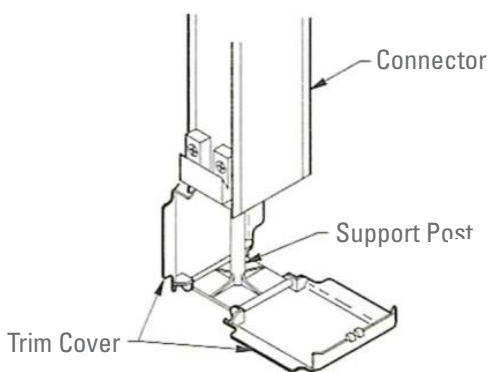
Connector Trim Covers:

- ◆ Trim covers are completely installed on all post connectors, except 4-way connectors which have a base post but no trim cover.
- ◆ Trim covers pivot at the base and hold their position with a latch that engages the connector.
- ◆ To release the trim cover, press down and in with a flat blade screw driver, near the center at top.

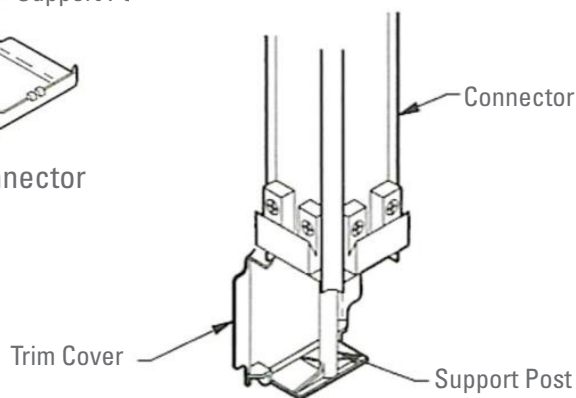
When the trim cover latch clears the edge of the connector, rotate the trim cover back.



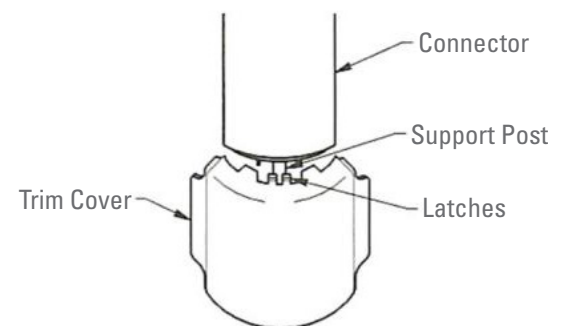
2-Way 90° Connector-Open



2-Way 180° Connector



3-Way Connector



2-Way 90° Connector-Closed

Wire Management End Cap Installation & Removal

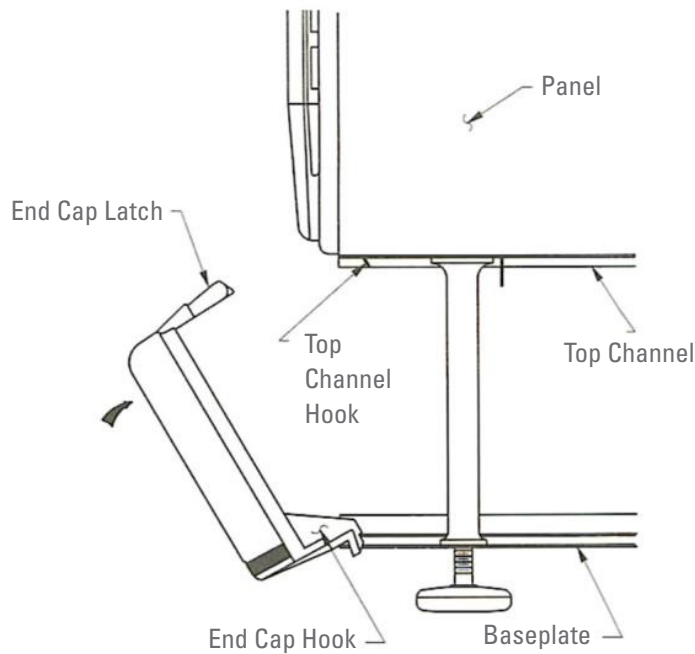
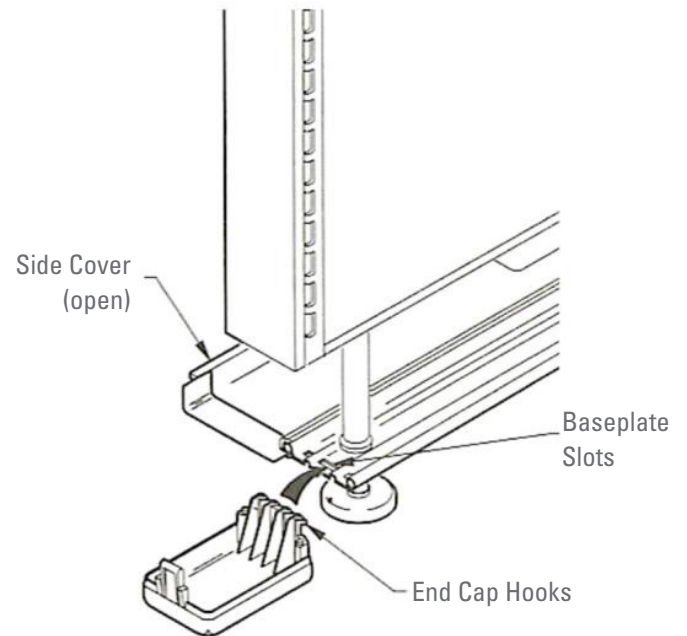
Note: End caps must be installed before closing panel base side covers.

To Install:

1. Insert end cap hooks into the base plate slots, as shown at right.
2. Rotate the end cap upward until the end cap latch catches the top channel hook. Confirm, by pulling back on the top of the end cap.

To Remove:

3. Use a flat-blade screw driver to pry down on the end cap latch beneath the panel end trim.
4. When the latch clears the top channel hook, pull back on the top of the end cap until the end cap hooks disengage from the base plate.



Work Surface Installation

Rectangular Surface

1. Place the tabs at the end of the cantilever into the slots on the side rail of the panel at the proper height to match up with any pedestals or other supports being used for the work surface. Push the cantilever down to seat the cantilever firmly into the panel; you may need to use a rubber mallet. Attach corner brackets at this time in a similar manner.
2. If the work surfaces are supported in part by flat brackets, then attach the flat brackets to the center work surface prior to placing it into the work station.
3. Pedestals must be attached to the bottom of the work surface prior to installing the work surface to the panels. Remove the drawers from the pedestal and place it upside down on top of the work surface. Line the pedestals up so that the front of the pedestal is flush to the inner edge of the trim on the work surface. The side of the pedestal should be approximately an inch from the edge of the work surface. Once the pedestal is properly placed, screw it into the work surface at the four corners of the pedestal.
4. Once supports are properly installed, or if the work surface is being supported solely by cantilevers, place the work surface on the cantilevers. Once the cantilevers are lined up along the edge of the work surface, secure the work surface to the cantilevers with the screws



Transaction Surface Installation

1. There are three types of transaction surface supports.
 - ◆ End support is used to support the transaction surface placed at the end of a panel run.
 - ◆ Mid-end support is used to support the transaction surface placed at a 2, 3, or 4-way connector post
 - ◆ Center support is used to support the transaction surface in a straight-line connection.
2. Installation of a rectangular transaction surface at the end of a panel run and a 2-way connector:
 - ◆ Remove top connector block at panel and post connection.
 - ◆ Install mid-end support in place of the connector top block.
 - ◆ Remove top block on finished end and install end support on finished end in place of top block.
 - ◆ Reinstall finished end and secure to panel end.
 - ◆ Position transaction surface on top of supports and secure with screws provided.

Storage Installation

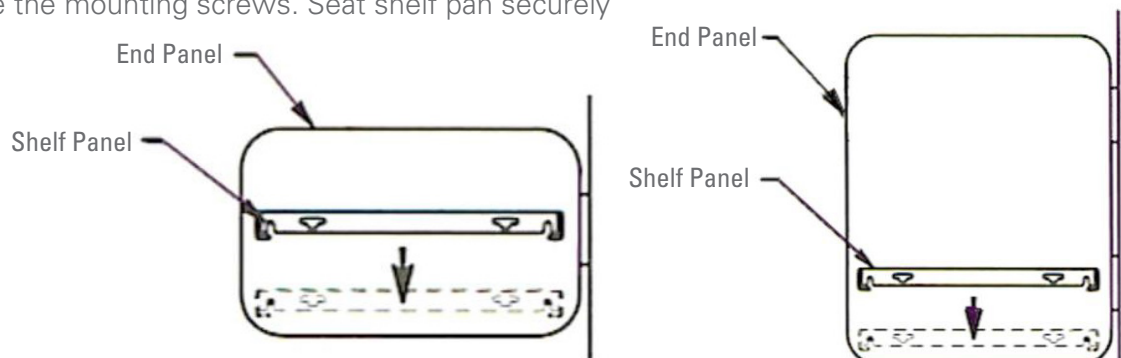
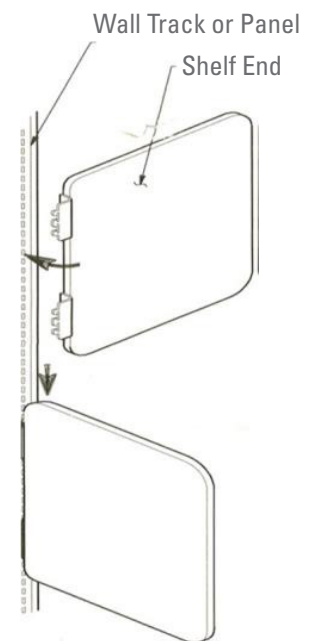
Storage Pedestals

1. Position storage component under work surface at desired location.
2. Remove pedestal drawers by fully extending drawer and slightly prying the drawer slide mechanism away from the drawer box using a slotted screw driver or mini Wonderbar/prybar from the bottom of the slide mechanism just behind the drawer front. Simultaneously lift the drawer box slightly away and repeat on the other side of the drawer.
3. Now hold both sides of the drawer box and pull toward you to disengage the tabs supporting the rear of the drawer box; pull drawer away entirely. Remove each drawer.
4. Level storage cabinet by adjusting each of the four glides until the top surface of the storage cabinet is flush with the work surface.
5. Use screws supplied with storage component to secure its four corners to the work surface through holes in the top frame.
6. Replace the drawers in the reverse sequence: align and insert tab/bayonet on side/rear of drawer box to slot on drawer slide; then attach in the same manner at front.
7. Test drawers for smooth operation; adjust if necessary.

Overhead Storage: Shelf Installation

Note: All screws must be firmly tightened. Failure to do so may cause the shelf to fall, causing product damage or personal injury.

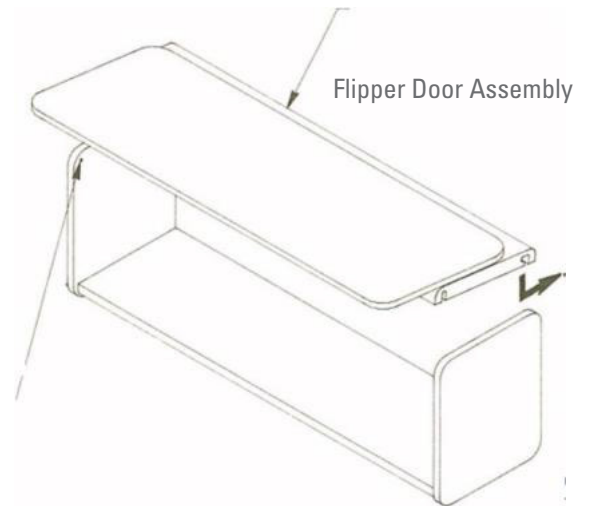
1. Loosen both bottom shelf mounting screws on each end panel to reveal approximately 1/8" of screw thread. Bottom screws are for the shelf; top screws are for the flipper door assembly or additional shelf, if specified.
2. Engage shelf end panel at desired height in slotted hanger frame of panel or wall track channel as show at right, top.
3. Swing shelf end panel so that it is perpendicular with panel or wall and lock shelf end panel in place by pushing down on end panel to seat the bracket. Tap firmly with plastic mallet to ensure end panel is fully seated on hanger frame or wall hanger strip.
4. Position end panels perpendicular to wall and slide shelf straight in between shelf end panels, just above the mounting screws. Seat shelf pan securely on the mounting screws and tighten with a Phillips screw driver; be certain to tighten all screws firmly.



Storage Installation (cont'd)

Overhead Bin Flipper Door Installation

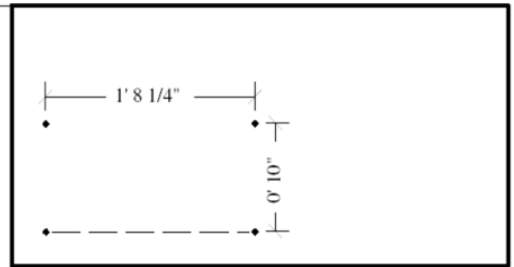
1. If a flipper door cover is to be installed, first install the shelf unit but do not tighten the screws to the shelf end panel.
2. Loosen top mounting screws on both end panels to reveal approximately 1/8" of screw thread.
3. With the flipper door assembly in the 'open' position (shown), position the rear slots of the flipper door assembly over the rear screws of the shelf end panel.
4. Slide the flipper door assembly back until the front slots drop over the front screws.
5. Seat flipper door assembly firmly over the four top shelf end panel screws then securely tighten all four flipper cover screws then all four shelf pan screws.



Accessory Installation

Tack Board Installation

1. Position and engage the hanger clips in panel joint or on wall hanger strip(hanger clips are universal) at desired height.
2. Position board with the mounting screws just above the hanger clips in the slots of the hanger clips as shown at right.
3. Press board against hanger clips and down to engage the mounting screws securely into the hanger clip notches.

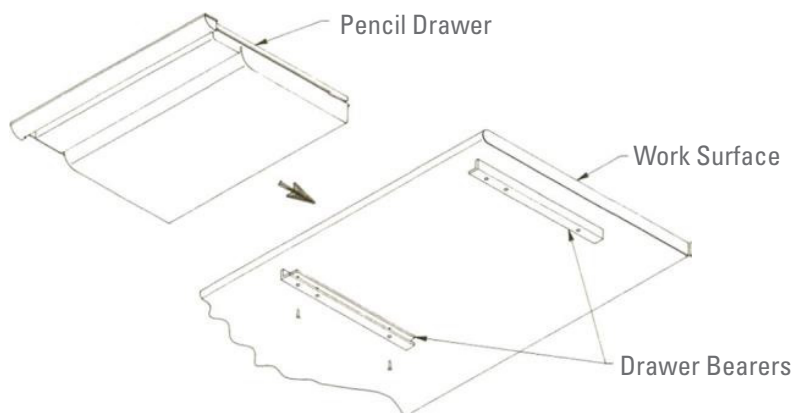


Task Lights

1. Install Task Light according to manufacturer's instructions, included with the light.
2. If using optional cord management clips, align task light cord inside reveal between panels. Plug light cord into outlet in panel base.
3. Use at least 3 cord clips per light to hold in place.

Pencil Drawer Installation

1. Attach drawer bearers to work surface as shown at right with flat-head wood screws supplied.
Note: Closed-end of drawer bearers face rear of work surface.
2. Use drawer bearer dimensions/spacing shown below wherever pencil drawer is desired.



Need More Help?

Need more help with your install? Email our Installation Manager to get further assistance.



thawryluk@fastcubes.com

WE'RE HERE TO HELP

